



[www.Trajansaw.com](http://www.Trajansaw.com)

## **Trajan 210**

European Style



## Parts and Service Manual

Order Parts from

[www.BandSawParts.com](http://www.BandSawParts.com)

713-884-1101

## PARTS LIST

MODEL NO. 210

CODE NO	PART NO	DESCRIPTION	SPECIFICATION	QTY
1	121005	Body Frame		1
2	121008	Anchor Block		1
2A	121151	Anchor Plate		1
2B	HT001	Round Head Screw	M5X10L	2
3	121024	Shaft		1
4	HS242	Hex. Socket Head Screw	M8X20L	1
5	121050	Anti-Chip Cover		2
6	CA32004	Tapered Bearing	32004	2
7	121011	Washer		1
8	HS051	Hex. Head Screw	M8X45L	1
9	HN005	Hex. Nut	M8	1
10	198148M	Tension Indication Plate		1
11	CA51203	Bearing	51203	1
12	198086	Knob		2
13	198051A	Blade Tension Handle		1
14	198093	Spring Washer	φID16.3Xφ31.5X1.8t	10
15	121026	Leadscrew		1
16	HN008	Hex. Nut	M16XP2.0	1
17	HS243	Hex. Socket Head Screw	M8X25L	3
18	198013	Fixed Block		1
19	HP022	Pin	φ5X40	2
21	121012	Fixed Block		1
22	HS243	Hex. Socket Head Screw	M8-1.25Px25L	2
23	HS468	Hex. Socker Headless Screw	M6X16L	8
24	121064T	Plum handle	M8X30L	1
25	121016	Blade adjust stick		1
26	HS430	Hex. Socker Headless Screw	M8X10L	2
27	HS228	Hex. Socket Head Screw	M6X10L	1
28	198044	Connecting Tube		1
29	198075	Handle		1
30	121078	Fixed Plate		1
36	HH005	Rivet	φ2X6	2
37	121061	Bearing Shaft		2
38	121015	Blade Adjust (Front)		1

## PARTS LIST

MODEL NO. 210

CODE NO	PART NO	DESCRIPTION	SPECIFICATION	QTY
39	198152	Scale	PATEN NO:M272607	1
40	HD610	Hose Clip	φ8	3
41	HS519	Cross Round Head Screw	M5X10L	3
43	121020	Eccentric Guide		2
44	CA608-2Z	Bearing	608-2Z	10
45	C100	C-Retainer Ring	φ8	4
46	121019	Eccentric Guide		2
47	HT017	Round Head Screw	M5X12L	2
48	121034	Blade Cover (Front)		1
49S	198096MS	Power-down Bracket Ass		1
49-1	198096M	Power-down Bracket		1
49-2	HS513	Cross Round Head Screw	M4x30L	2
49-3	HW104	Washer	M6	2
49-4	HT003	Hex. Socket Head Screw	M6X10L	2
51	HE906	Hex. Nut	M10X14-6	4
52	HW106	Spring Washer	M10	4
53	121017	Deflector Plate		1
53	121032AT	Blade Cover (Rear)	CE	1
54	121014	Blade Adjustable (Rear)		1
56	HT018	Round Head Screw	M8X25L	2
58S	121032BS1	Brush Assembly		1
58-1	121032B	Brush Support		1
58-2	181241C	Brush		1
58-3	HS036	Hex. Head Screw	M6x30L	1
58-4	HW016	Washer	ø6.5Xø18Xt1.5mm	2
58-5	HN004	Hex. Nut	M6	2
61	198108M	Cover		1
62	HS241	Hex. Socket Head Screw	M8x15L	2
64	HS431	Hex. Socker Headless Screw	M8X15L	1
65	121028	Frame Pivot Shaft		1
67	CA32006	Tapered Bearing	32006	2
69	198050	Anti-Chip Cover		2
70	121055	Prive Shaft Washer		2
71		Motor		1

## PARTS LIST

MODEL NO. 210

CODE NO	PART NO	DESCRIPTION	SPECIFICATION	QTY
71-1	HK114	KEY	6X6X40L	1
72	HS034	Hex. Socket Head Screw	M6x20L	4
73	HW104	Spring Washer	M6	4
74S		Worm Gear	E=1/28 OR E=1/15	1
74-1	198202	Gear Box		1
74-2		Worm Gear	E=1/28 OR E=1/15	1
74-3	CA6008ZZ	Bearing	#6008ZZ	2
74-4	198203	Gear Box Cover		2
74-5	HG018	Oil Seal	TC40x56x8b	2
74-6	198207	Washer		2
74-7	HW104	Spring Washer	M6	8
74-8	HS230	Hex. Socket Head Screw	M6x16L	8
74-9		Worm Shaft	E=1/28 OR E=1/15	1
74-10	CA6006ZZ	Bearing	#6006ZZ	1
74-11	CA6203ZZ	Bearing	#6203ZZ	1
74-12	198205	Motor Bracket		1
74-13	HG024	Oil Seal	TC30x40x7b(NBR)	1
74-14	198208	Washer		1
74-16	HS229	Hex. Socket Head Screw	M6x16L	4
74-17	198210	Washer		1
74-18	198209	Washer		1
74-19	198206	Cover		1
74-20	HW003	Spring Washer	M5	3
74-21	HS219	Hex. Socket Head Screw	M5x16L	3
74-22	HO045	O-Retainer Ring	P14(OD13.8X2.4W)	1
74-23	198172	Plug		1
74-28	198204	Connect Bracket		1
74-29	HW105	Spring Washer	M8	4
74-30	HS241	Hex. Socket Head Screw	M8x16L	4
74-31	198214	Washer		1
74-32	HD103	Plug	PT1/4"	1
75	HW106	Spring Washer	M10	1
76	HS259	Hex. Socket Head Screw	M10x25L	1
77	HD802	PU Tube	φ6x800L	1

## PARTS LIST

MODEL NO. 210

CODE NO	PART NO	DESCRIPTION	SPECIFICATION	QTY
78	HD607	Hose Fitting	ϕ8X1/4"PT	1
79	HS229	Hex. Socket Head Screw	M6X15L	2
80	198067	3 Way Valve		1
81	HD801	PU Tube	ϕ6x240L	1
82	HD803	Valve	1/8"	2
83	HD606	Hose Fitting	ϕ6X1/8"PT	4
84	121035	Bushing		1
85	HS259	Hex. Socket Head Screw	M10X25L	1
86	198037	Washer		1
87	HK048	Round Head Key	7X7X50	1
88	121023	Output Shaft		1
89	HK043	Round Head Key	7X7X25	1
90	CA6007ZZ	Bearing	6007RS	1
92	198042M	Spring		2
92A	198171M	Bushing		2
93	121069M	Spring Bracket		1
94	HS274	Hex. Socket Head Screw	M10X100L	2
96	121007	Idler Wheel		1
97	HW106	Spring Washer	M10	2
98	HS259	Hex. Socket Head Screw	M10X25L	2
99	HN108	Nut	M20XP1(AN04)	1
100	121077	Blade	208.5X20X0.9X5/8T	1
101	121006	Drive Wheel		1
102	198036	Drive Shaft Washer	Drive Shaft Washer	1
103	HS059	Hex. Head Screw	M10X25L	1
104	121030	Blade Back Cover		1
105	198169M	Plum Screw	M6x13L	4
106	HW104	Washer	M6	4
106-1	198189	Ring		1
111	HT002	Round Head Screw	M5X15L	2
112	HW003	Washer	M5	2
114	HT019	Round Head Screw	M5X12L	1
161	121062	Scale		1
162	HH001	Rivet	ϕ2X5	2

## PARTS LIST

MODEL NO. 210

CODE NO	PART NO	DESCRIPTION	SPECIFICATION	QTY
165S	121059NS	Distance Set Rod A'ss		1
165-1	198057	Distance Set Bracket		1
165-2	HW005	Washer	M8	2
165-3	198088	Grip		2
165-4	198058	Adjust Bar		1
165-5	121059N	Distance Set Rod		1
165-6	HN010	Hex. Nut	M14xP1.5	1
165-7	198087	Ruler		1
165-8	HH001	Rivet	φ2	4
170	121052A	Wheel		1
171	HP021	Pin	φ5X35	1
172	121039	Bearing Cover		1
173	CA3047	Bearing	φ30Xφ47X3.5	1
174	198009	Vise Handle		1
175	198040	Spring		1
176	121049	Bushing		1
178	HW016	Washer	φ6.5 *φ18-1.5	1
179	HS229	Hex. Socket Head Screw	M6x15L	1
180	121004	Vise Jaw Bracket		1
181	121022	Vise		1
182	HD501	Hex. Socket Flat Head Scvew	M6X12L	2
186	121003	Vise Jaw Bracket		1
190	121025	Leadscrew A		1
191	HS432	Hex. Socker Headless Screw	M8X20L	1
193	HS326	Hex. Socket Head Screw	M6X100L	2
194	121002	Swivel Arm		1
195	HN006	Hex. Nut	M10	2
196	121043	Vise Jaw Adjustable Rod		1
197	HO0031	O-Retainer Ring	φ19.8Xφ2.4	1
198	HS063	Hex. Head Screw	M10X45L	2
200	121029	Bushing		1
201	HN105	Nut	AN06	1
202	198046	Bolt		2
202-1	HN006	Hex. Nut	M10-P1.5	2

## PARTS LIST

MODEL NO. 210

CODE NO	PART NO	DESCRIPTION	SPECIFICATION	QTY
207	HT002	Hex. Socker Headless Screw	M5X15L	2
208	198074GP	Warning Paster		1
209	198074G	Control Box Base		1
211	HS241	Hex. Socket Head Screw	M8X15L	4
212	HW105	Spring Washer	M8	4
214	198074R	Lable for Name Plate		1
215S		Control Box Assembly		1
215-1	ET1157	Magnetic-Contact	C-06D10A7	1
215-2	ET1231	Push-Button Switch		1
215-4	ET1245	Emergency-Stop Switch	HY-57B	1
215-5	ET1744	Power Switch	48*48	1
215-6	ET1324	Transformer	CE 230/400V 20W	1
215-7	ET1415	Lamp		1
215-8	ET1517	End-Gland		1
215-9	ET1623	Limit-Switch	AZD-S11	1
215-9	ET1628	Limit-Switch		1
215-11	ET1815	Fuse-Base	281-611	1
215-12	ET1820	Fuse	2A 2CM	1
215-14	ET1922	Box Upper Lib		1
215-15	ET1923	Box Seat		1
215-16	ET2109	Cable-Gland	PG9	3
215-17	ET2110	Cable-Gland	PG11	2
215-18	ET2111	Cable-Gland	PG13.5	1
215-19	ET2118	Net-Pin		1
215-20	ET2122	Din-Rails 9CM		1
215-22	E350432F	Power Cable	VDE1.5*4C	1
215-23	E135722B	Motor Cable		1
215-25	E160312E	Pump Cable	VDE0.75*3C	1
215-26	E160212	Limit Cable		1
215-35	ET2006	Over-Load	LR7 1.8-2.6A 210用	1
215-37	ET1127	RELAY		1
215-38	E300212	Limit Cable		1
216	HB605	Hex Socket Plug	3/8"PT	1
216-1	198191	Washer	15*22-2.2	1

## PARTS LIST

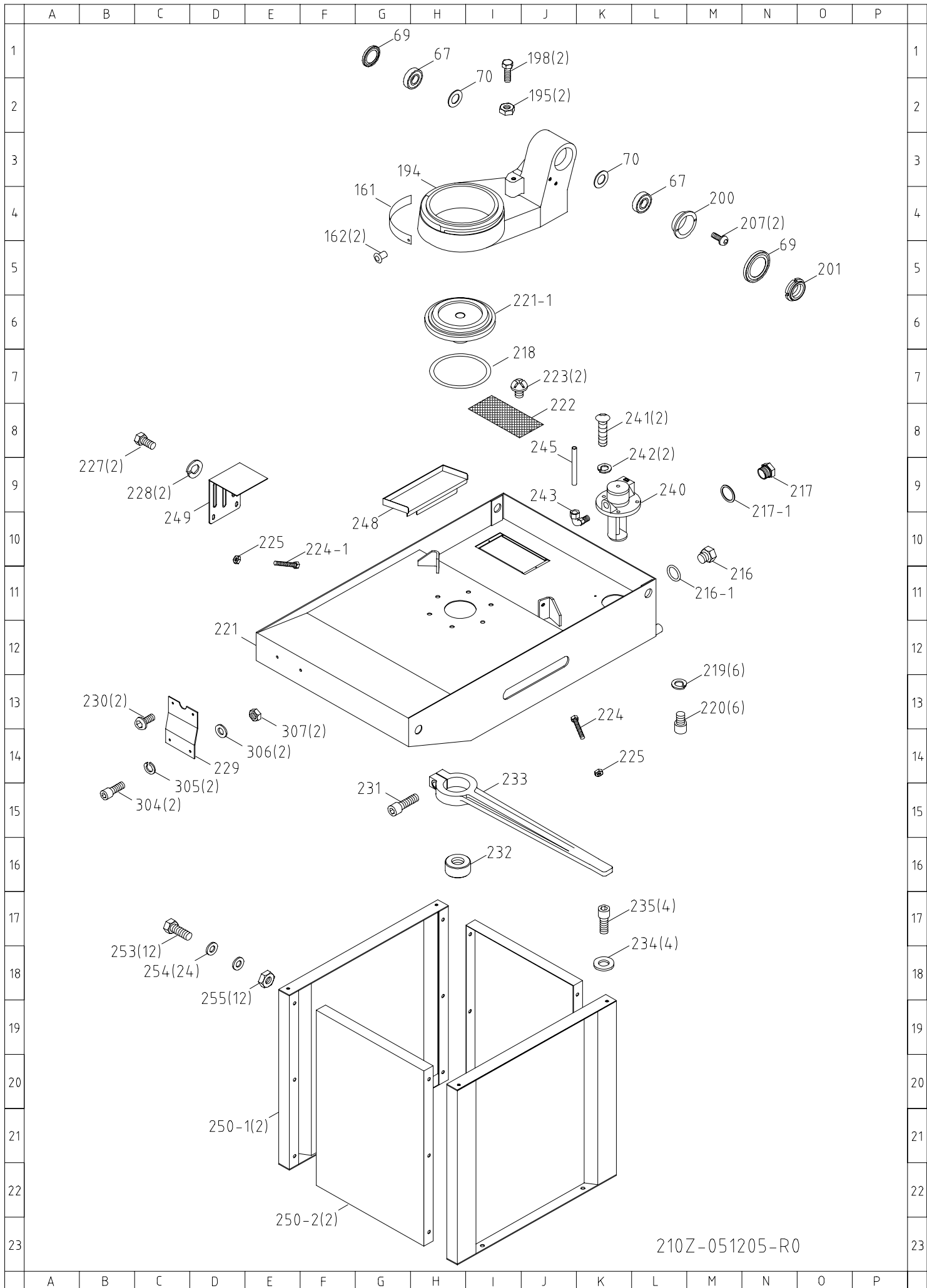
MODEL NO. 210

CODE NO	PART NO	DESCRIPTION	SPECIFICATION	QTY
217	121067M	Oil level gage		1
217-1	198190	Washer	19.5*26-2.2	1
218	HO042	O-Retainer Ring	ID170X5.7W	1
219	HW106	Spring Washer	M10	6
220	HS230	Hex. Socket Head Screw	M10X20L	6
221	121001M	Stand		1
221-1	121001P	Swivel Arm Base		1
222	121031	Filter		1
223	HS509	Cross Round Head Screw	M4X8L	2
224	HS064	Hex. Head Screw	M10X50L	2
225	HN006	Hex. Nut	M10	2
227	HS059	Hex. Head Screw	M10X25L	2
228	HW106	Spring Washer	M10	2
229	121041	Fixed Plate		1
230	HT003	Round Head Screw	M6X10L	4
231	HS261	Hex. Socket Head Screw	M10X35L	1
232	198038	Nut		1
233	198010	Adjustable Handle		1
234	HW006	Washer	M10	4
235	HS258	Hex. Socket Head Screw	M10X20L	4
240		Cooling Pump	1/8HP,1Φ,230V or 400V	1
241	HS033	Cross Round Head Screw	M6X15L	2
242	HW104	Spring Washer	M6	2
243	HD608	Micro Control Block	3/8"x3/8"	1
245	HD804	PU Tube	φ8x1300L	1
248	198073T	Fluid Collected Plate		1
249	121054M	Feed Support		1
250S	121001FM	Stand Leg Set		1
250-1	121001FMA	Stand Leg (front)		2
250-2	121001FMB	Stand Leg(Right)(Left)		2
253	HS046	Hex. Head Screw	M8x20L	12
254	HW005	Washer	M8	24
255	HN005	Hex. Nut	M8	12
258	198158T	Bracket		1

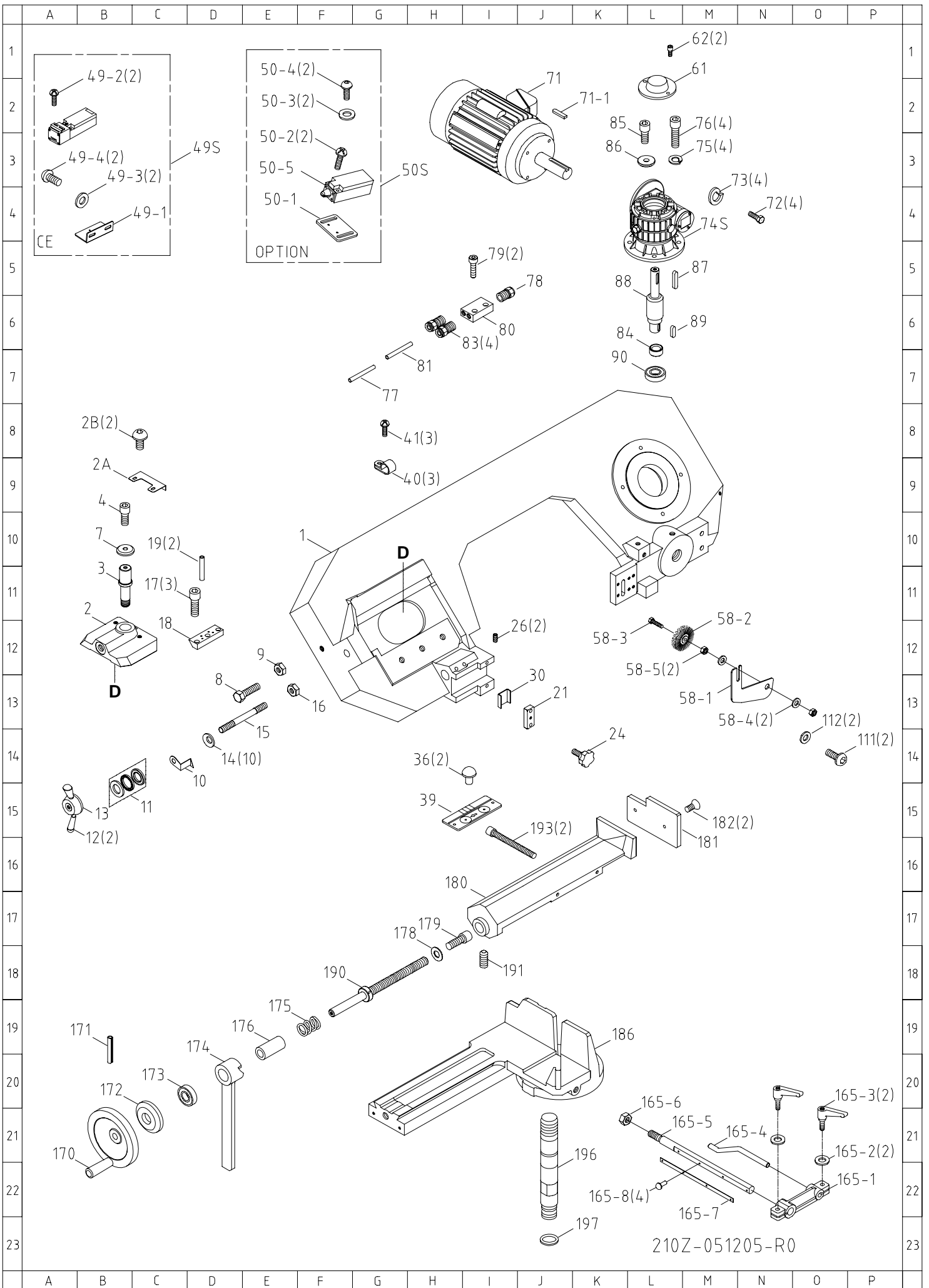
PARTS LIST

MODEL NO. 210

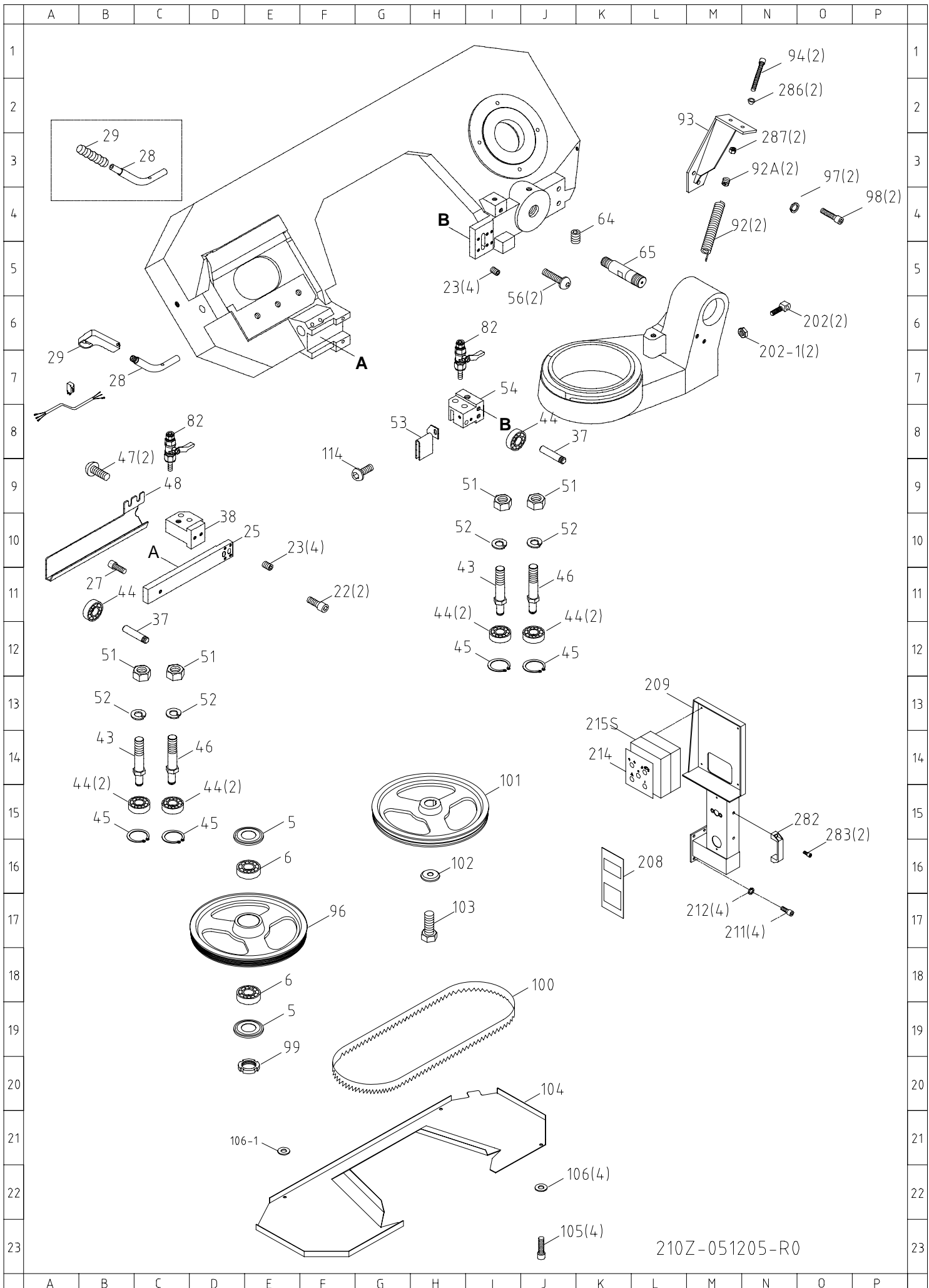
CODE NO	PART NO	DESCRIPTION	SPECIFICATION	QTY
259	HW003	Washer	M5	2
260	HT001	Hex. Socket Head Screw	M5X10L	2
282	1965052	Knob		1
283	HS241	Hex. Socket Head Screw	M8X15L	2
286	101008	Washer		2
287	HN006	Hex.Nut	M10	2
304	HS229	Hex. Socket Head Screw	M6x15L	2
305	HW104	Spring Washer	M6	2
306	HW004	Washer	M6	2
307	HN004	Hex.Nut	M6	2



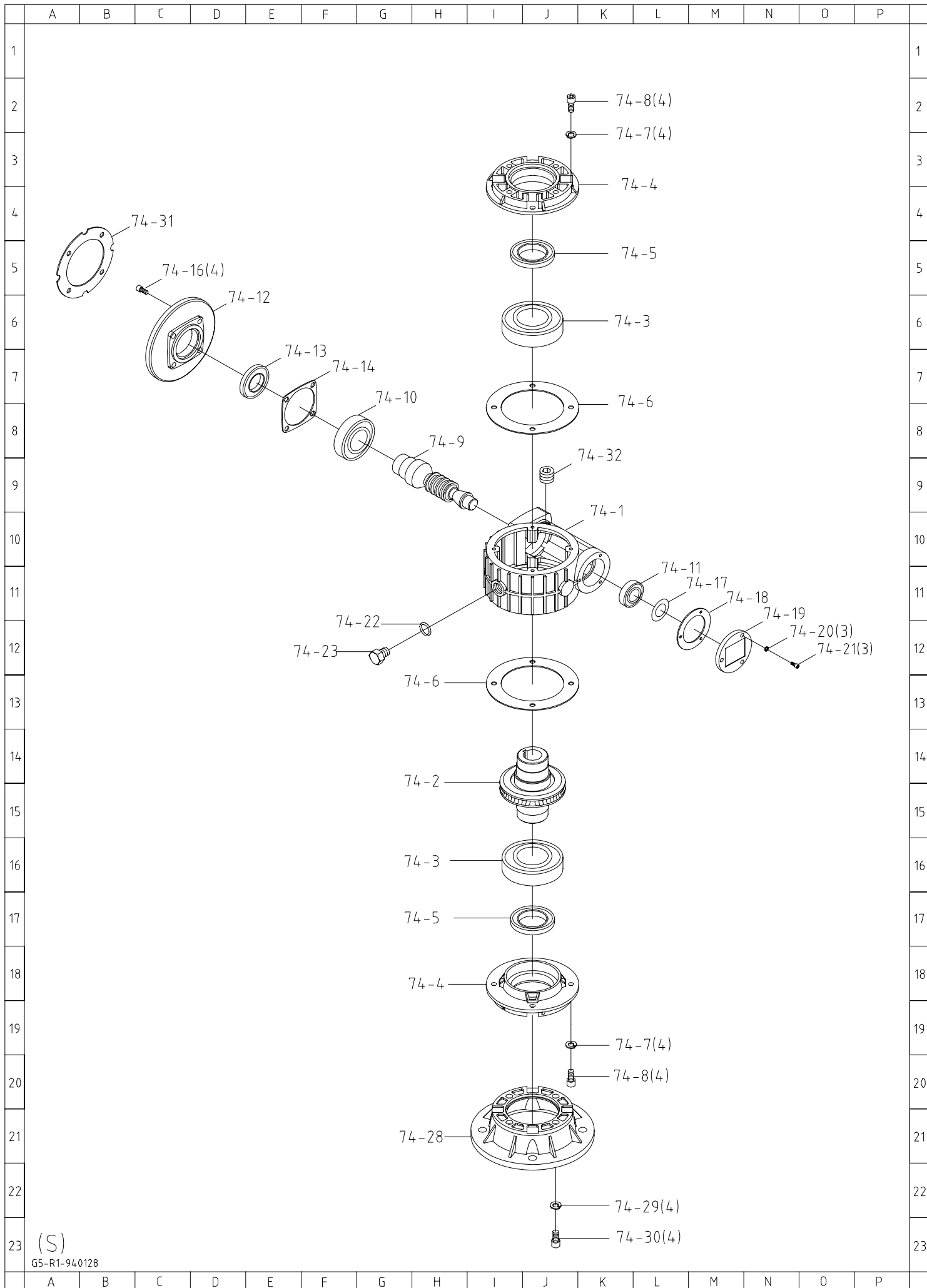
210Z-051205-R0



210Z-051205-R0



210Z-051205-R0



(S)  
G5-R1-940128